

As the user hears music or information of interest (s)he clicks

Clicks are stored locally in the devices

Clicks are stored on the user's computer

Clicks are validated and translated into bookmarks to produce an ads...

Bookmarks are stored on Xenote's server and maintained automatically (dead links, new products, recalls, promotions....)

User access and use bookmarks from any web browser or from a thin client

FIG. 1

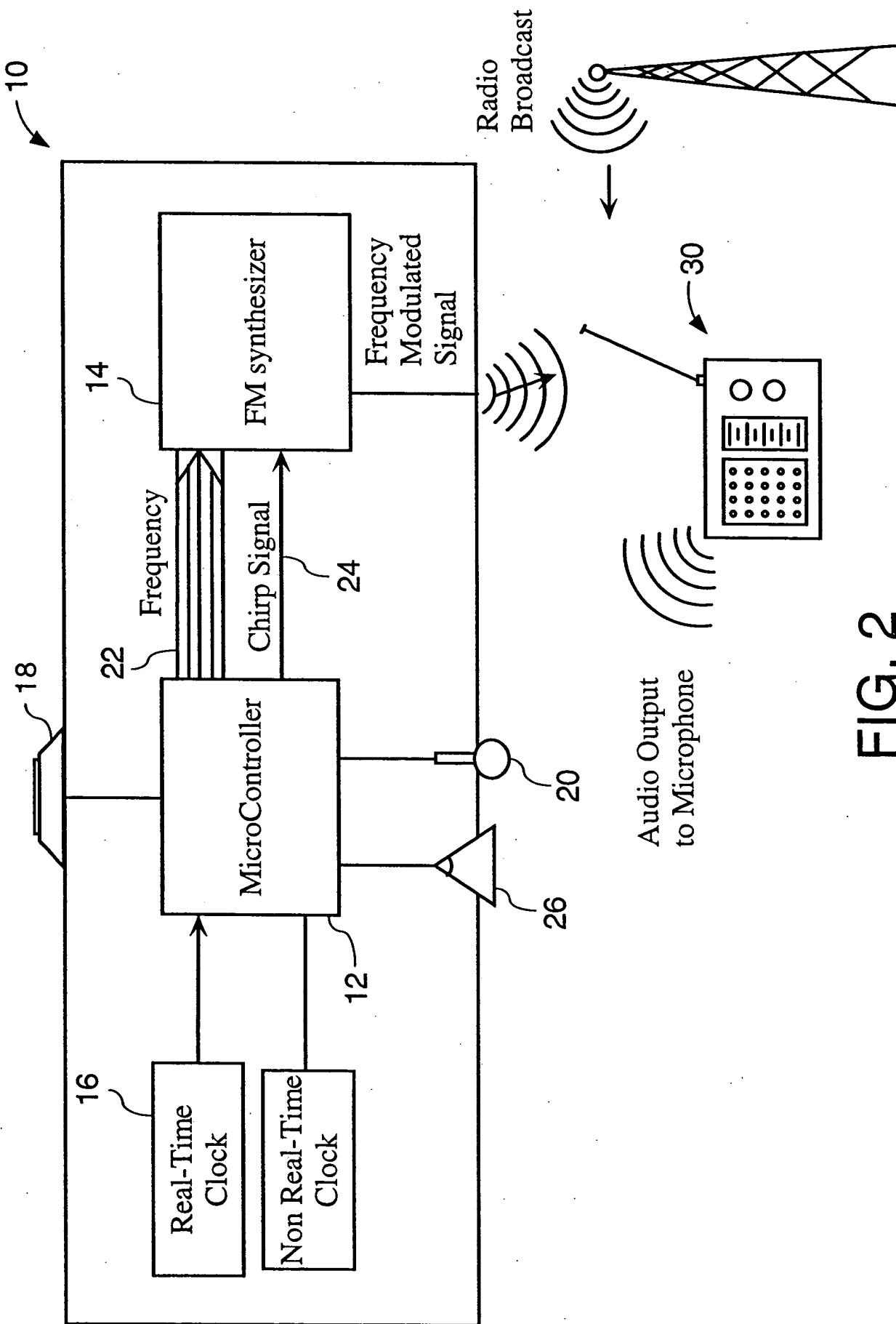


FIG. 2

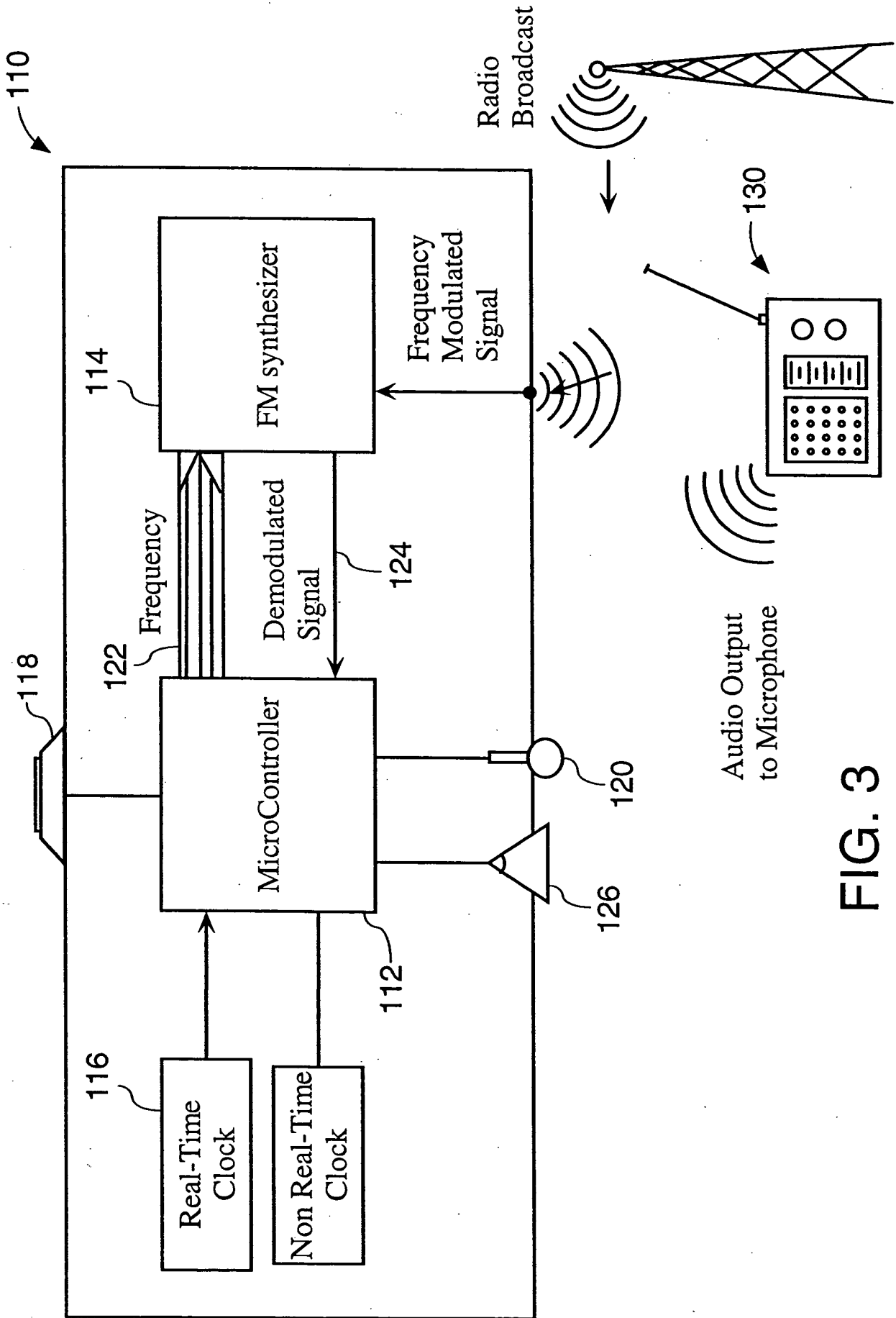


FIG. 3

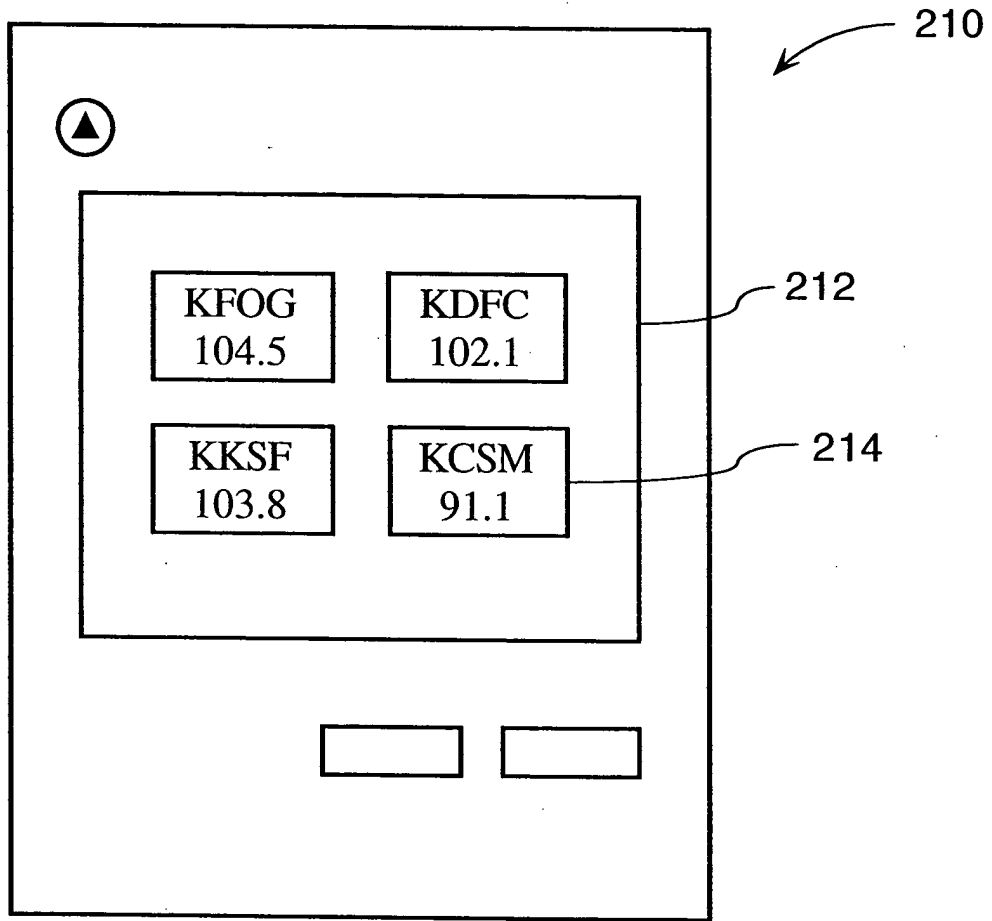


FIG. 4

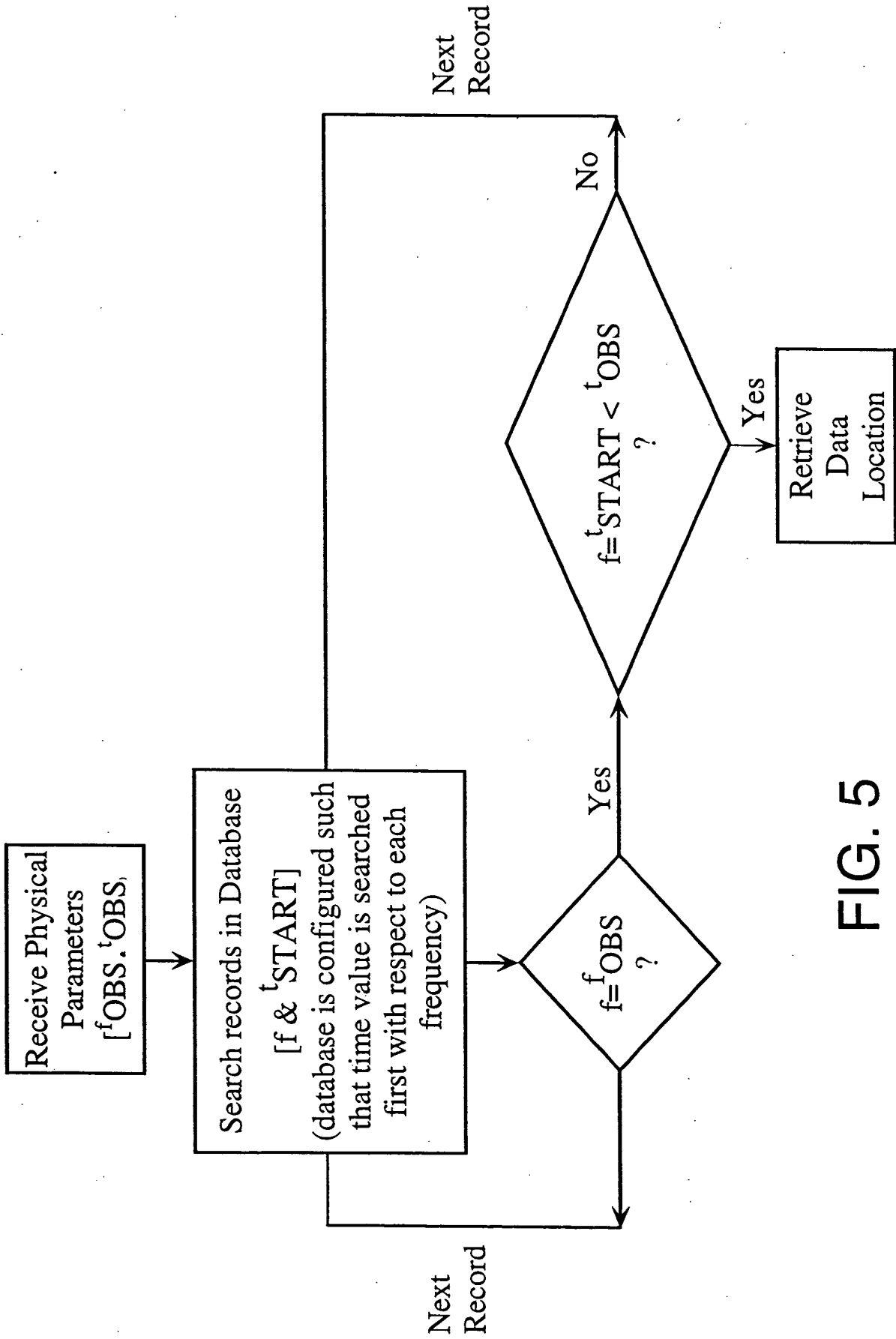


FIG. 5

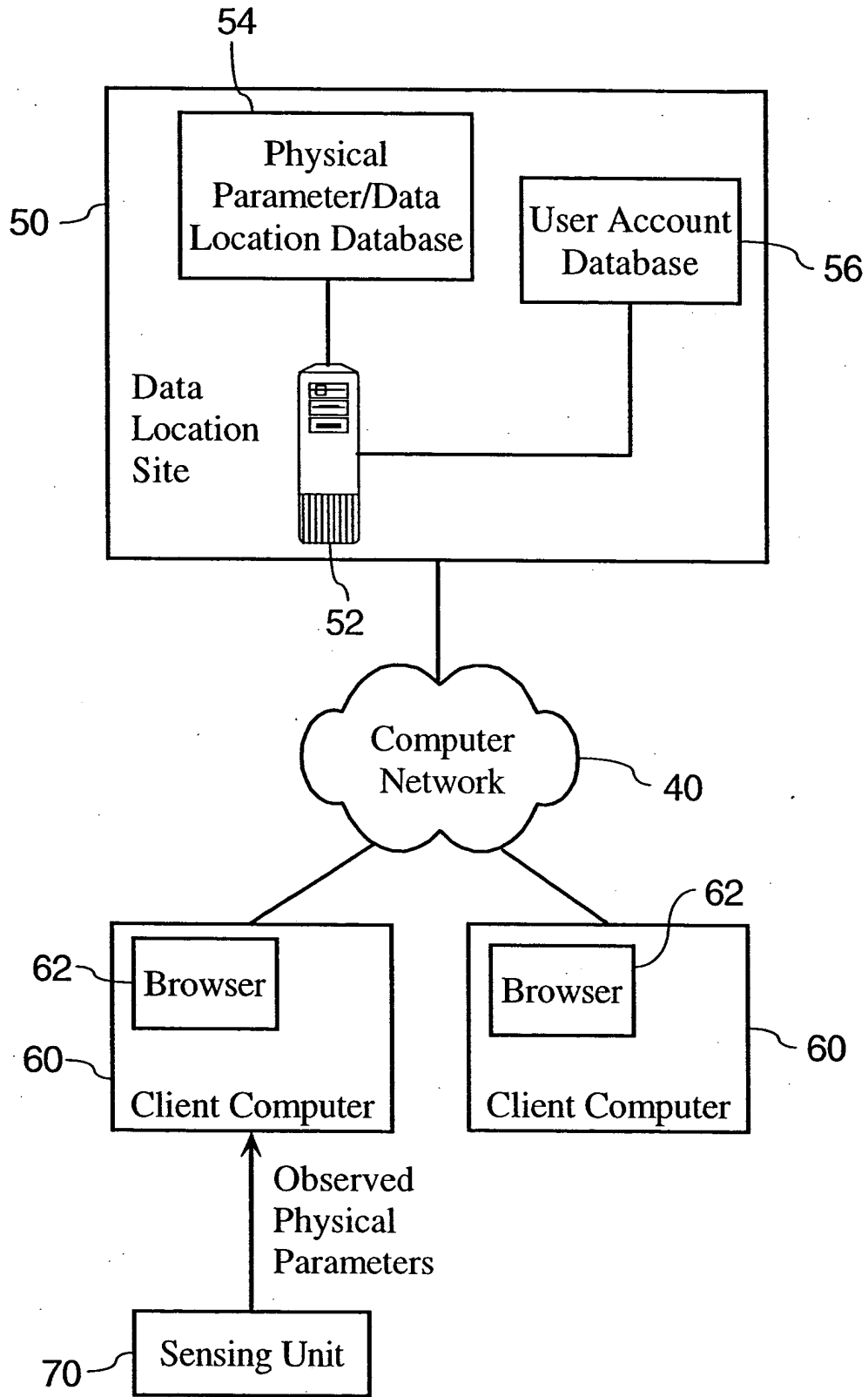


FIG. 6

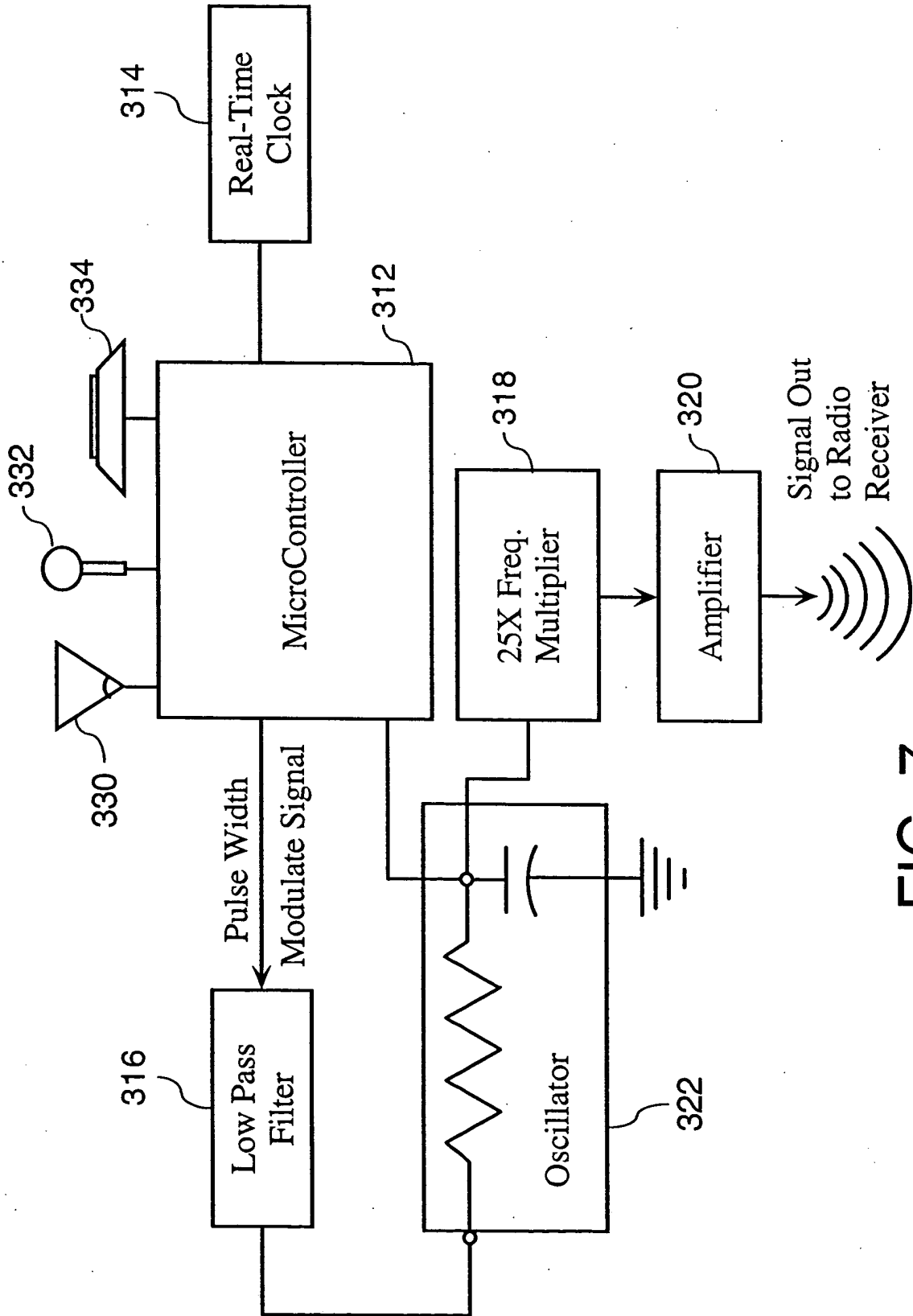


FIG. 7

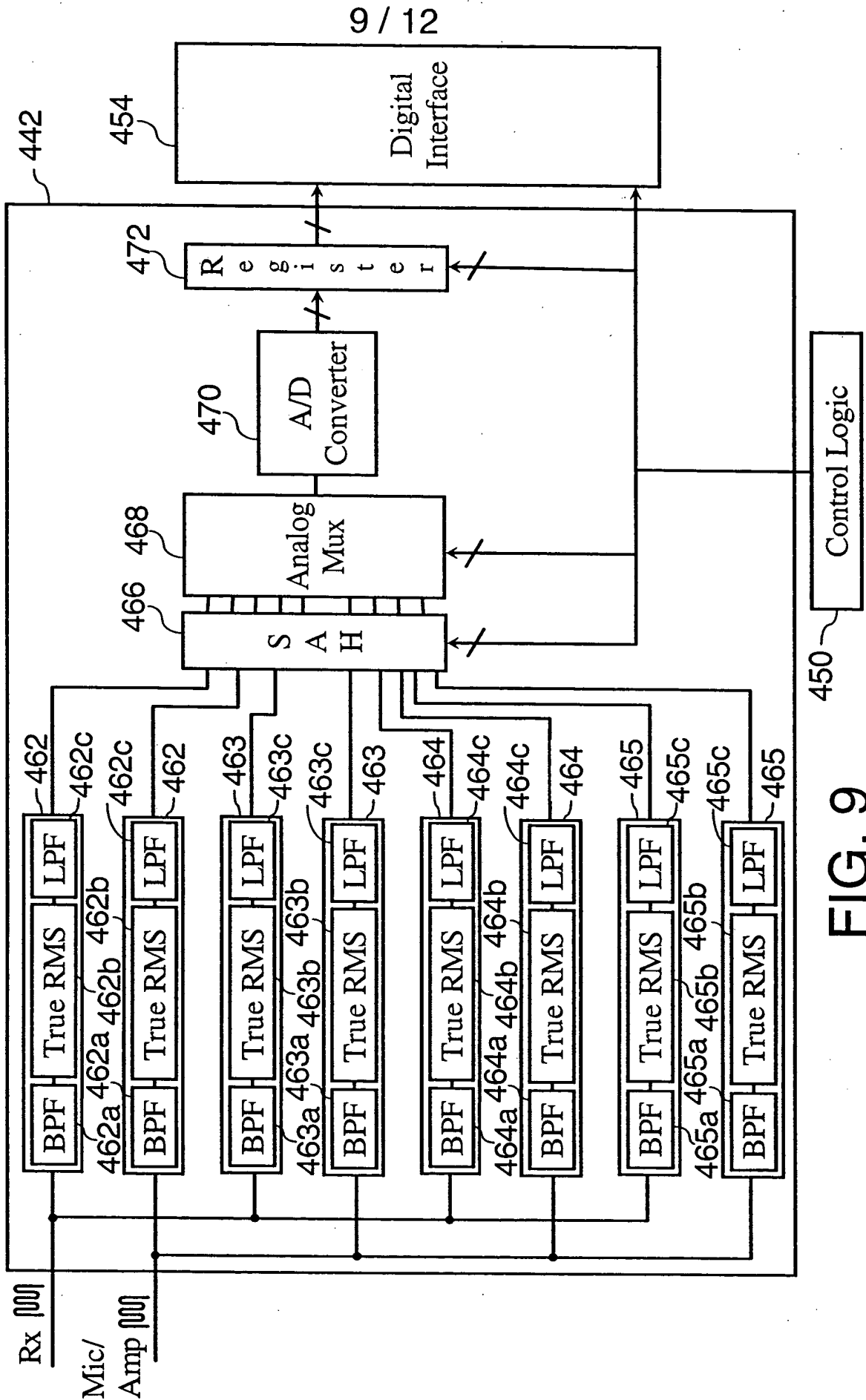


FIG. 9

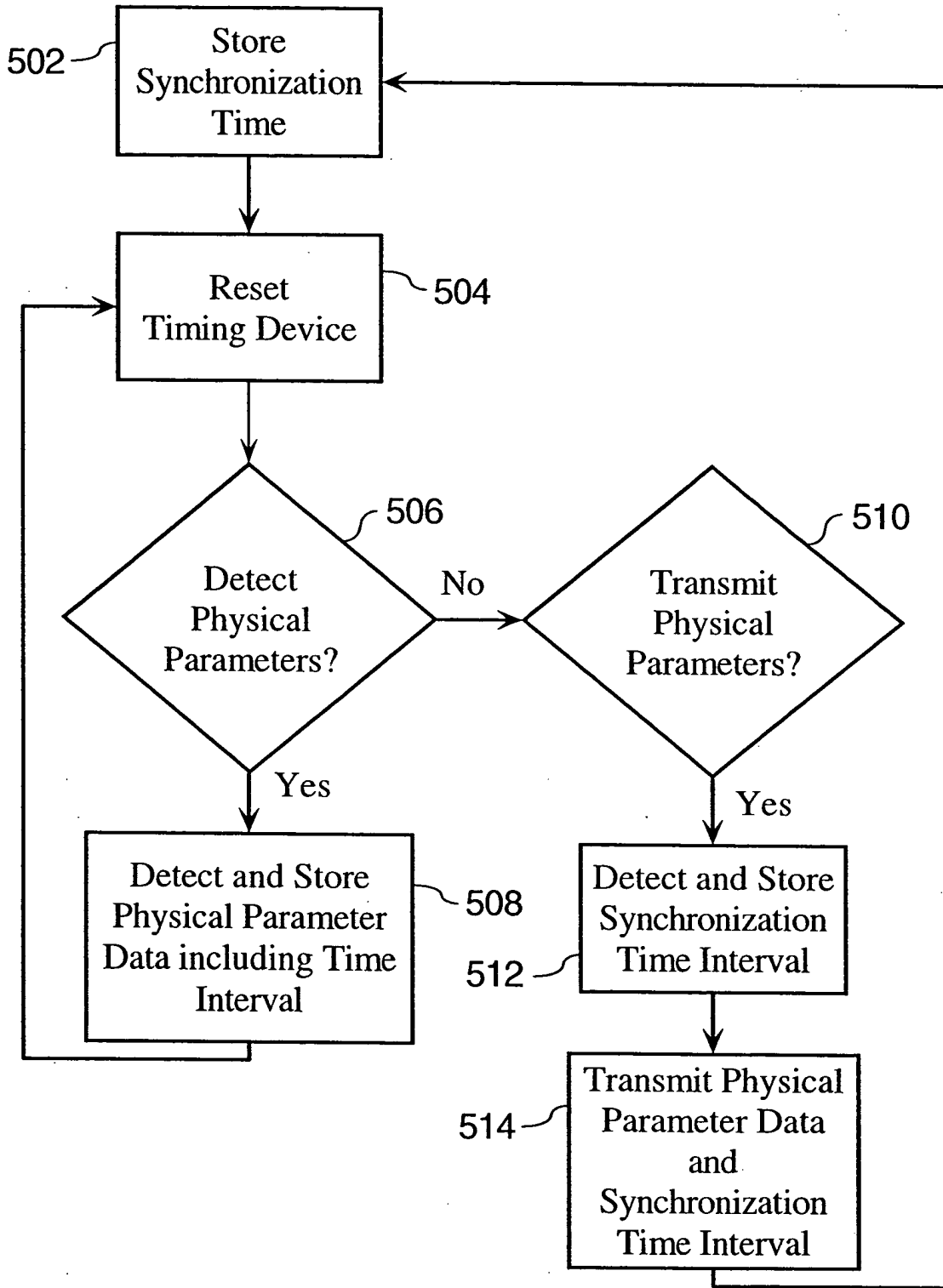


FIG. 10

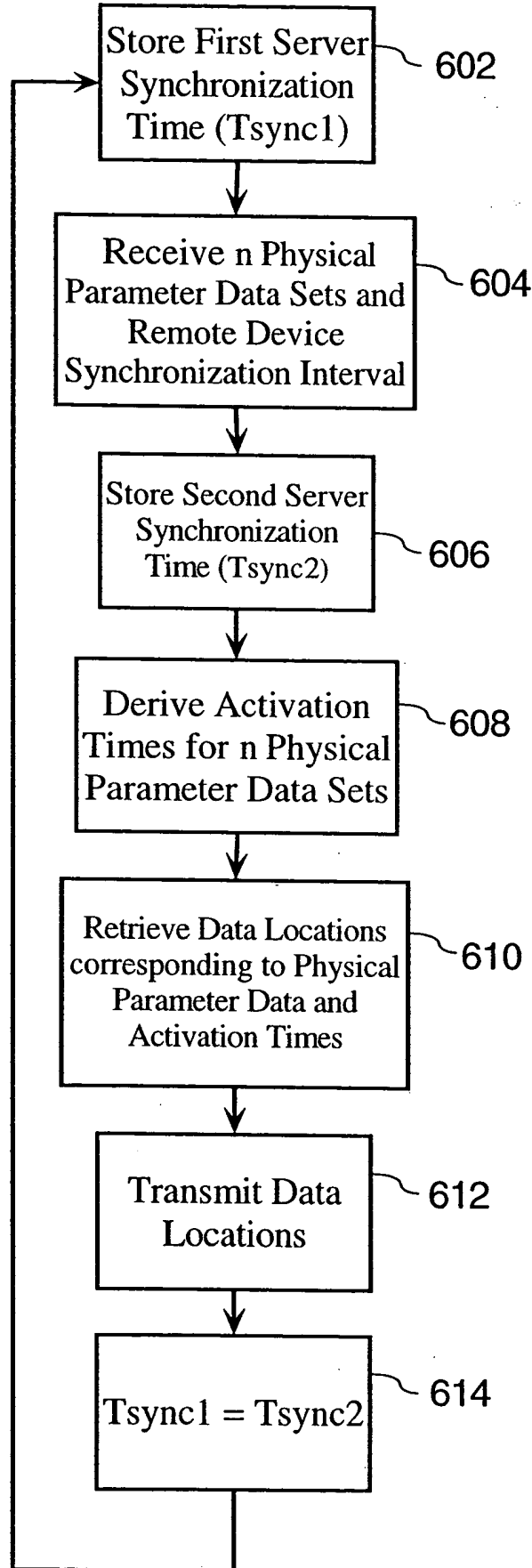


FIG. 11

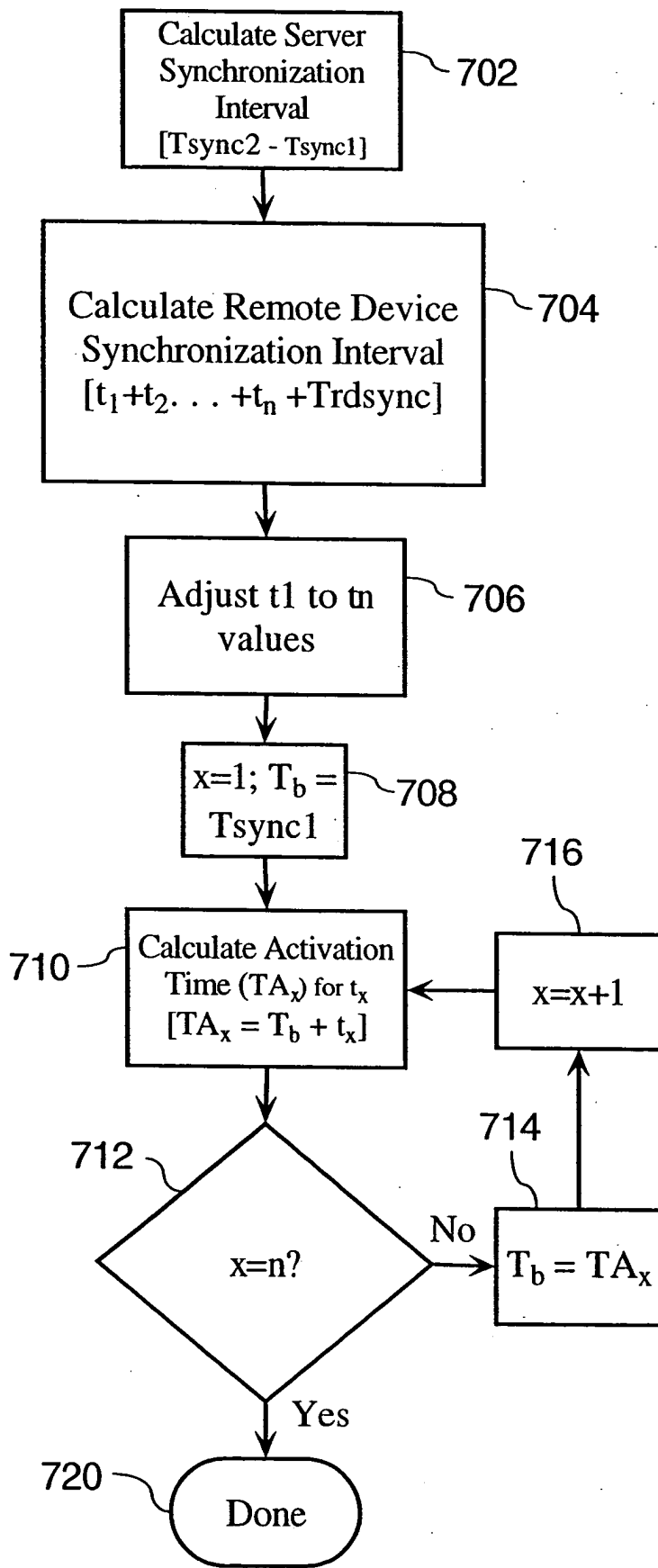


FIG. 12